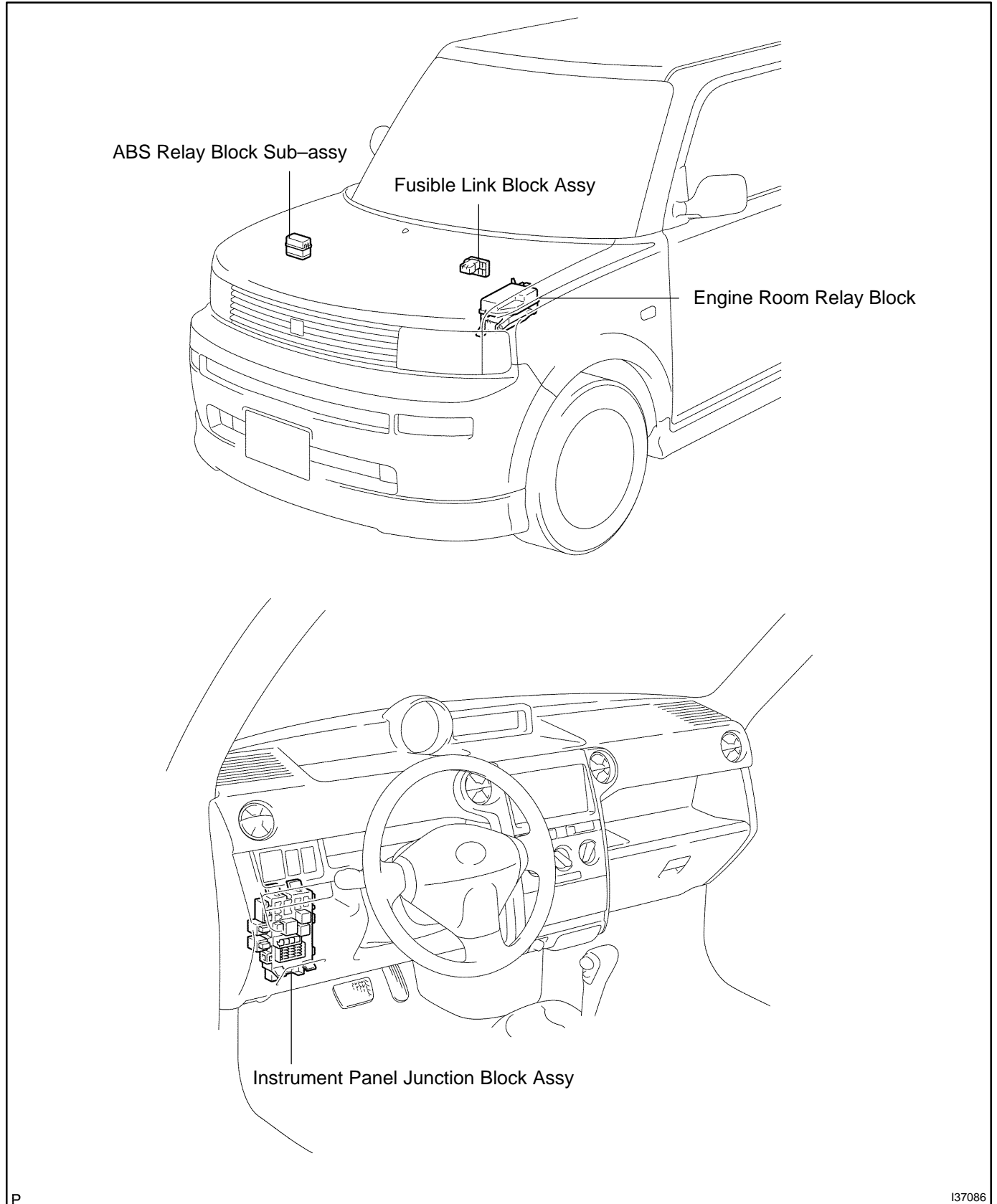


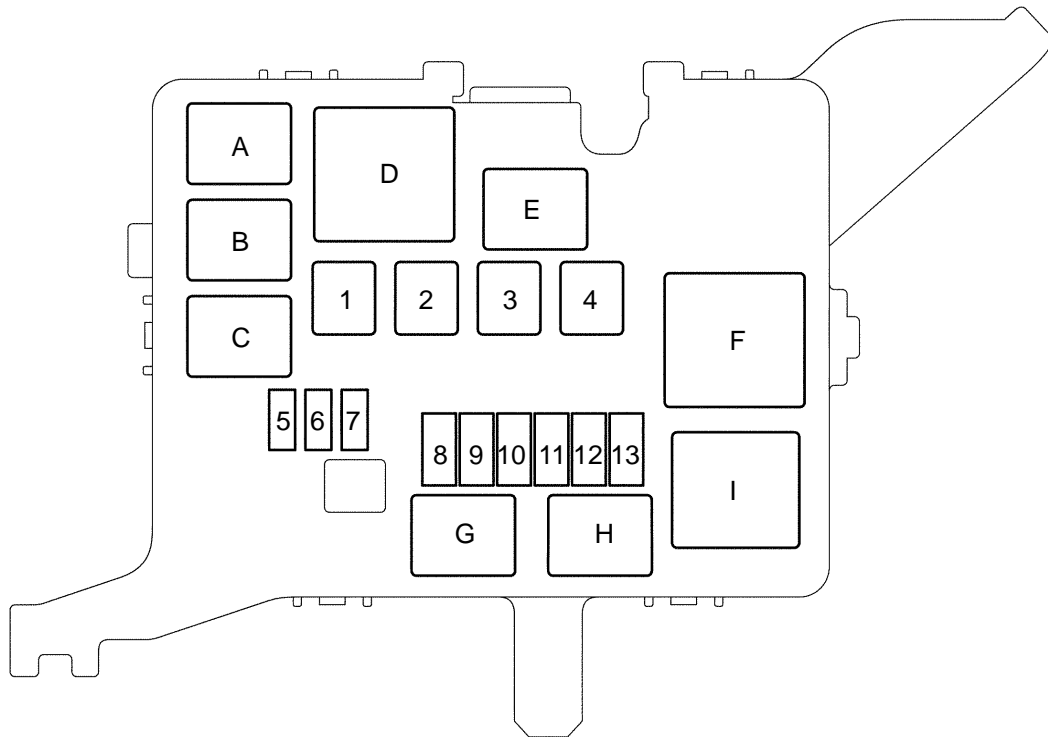
POWER SOURCE LOCATION

68050-01



P

137086

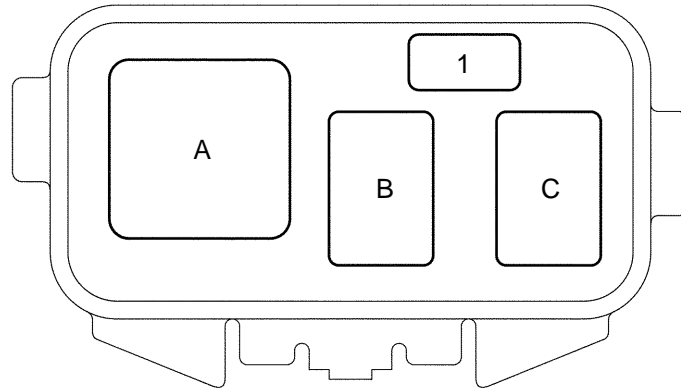
Engine Room Relay Block:**FUSE:**

1. ABS No.1	40A	11. HORN	15A
2. HTR SUB1	50A	12. EFI	15A
3. RD1	30A	13. DOME	15A
4.	-		
5. A/C 2	7.5A		
6. H-LP RH	15A		
7. H-LP LH	15A		
8.	-		
9. ST	30A		
10. AM2	15A		

RELAY:

A. HORN
B. -
C. EFI
D HTR SUB1
E. -
F. -
G. FAN No.1
H. FAN No.2
I. ST

ABS Relay Block Sub-assy:



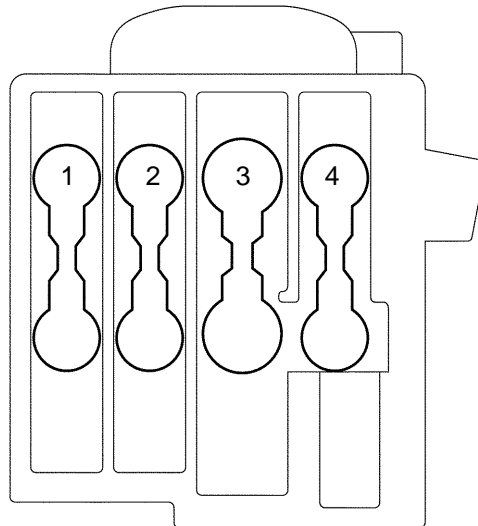
FUSE:

- 1. ABS No.3 7.5A

RELAY:

- A. ABS MTR
- B. ABS CUT
- C. ABS SOL

Fusible Link Block Assy:



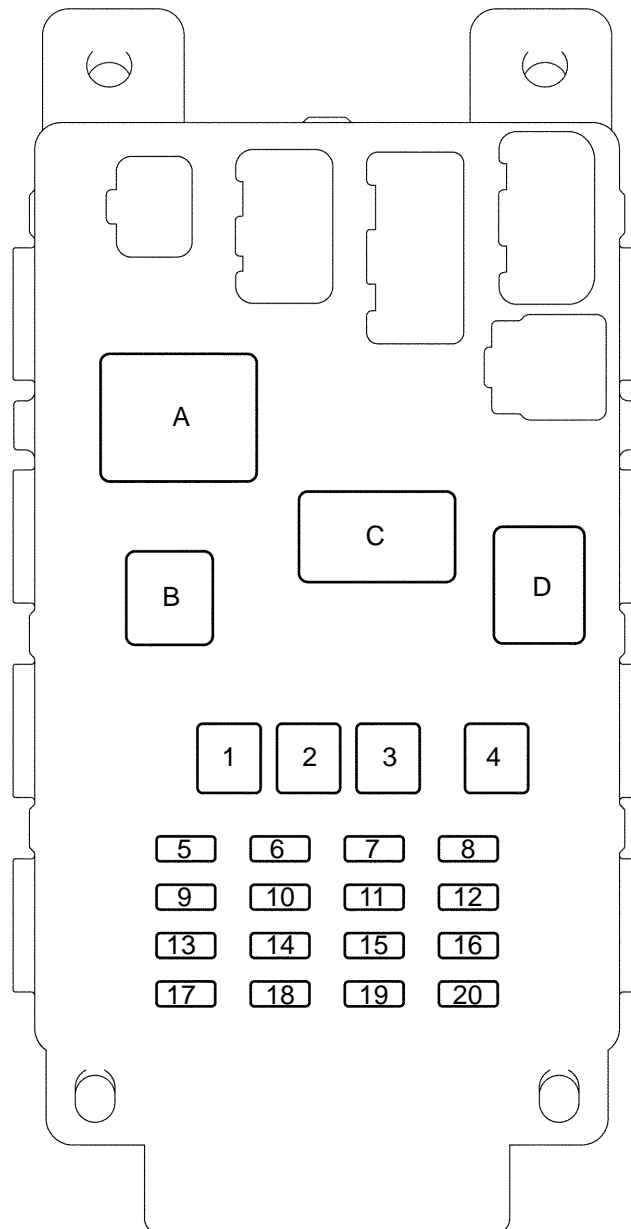
FUSE:

- 1. MAIN 60A
- 2. CL-ACT1 60A
- 3. ALT 100A
- 4. ABS 60A

Instrument Panel Junction Block Assy:

FUSE:

- 1. AM1 40A
- 2. POWER 30A
- 3. HTR 40A
- 4. DEF 30A
- 5. GAUGE 10A
- 6. -
- 7. D/L 25A
- 8. TAIL 10A
- 9. -
- 10. WIPER 20A
- 11. ECU-B 7.5A
- 12. FOG 15A
- 13. ACC 15A
- 14. ECU-IG 7.5A
- 15. OBD 7.5A
- 16. HAZ 10A
- 17. A/C 7.5A
- 18. -
- 19. -
- 20. STOP 10A



RELAY:

- A. HTR
- B. PWR
- C. FLSH
- D. C/OPN